

**inovelli®**



**Inovelli Motion sensor Pet Immunity Z-**

**Wave™**

7CA-SS-VE-C0

# Motion Sensor Pet

## immunity

### Quick Start Guide

#### 1. Product Introduction

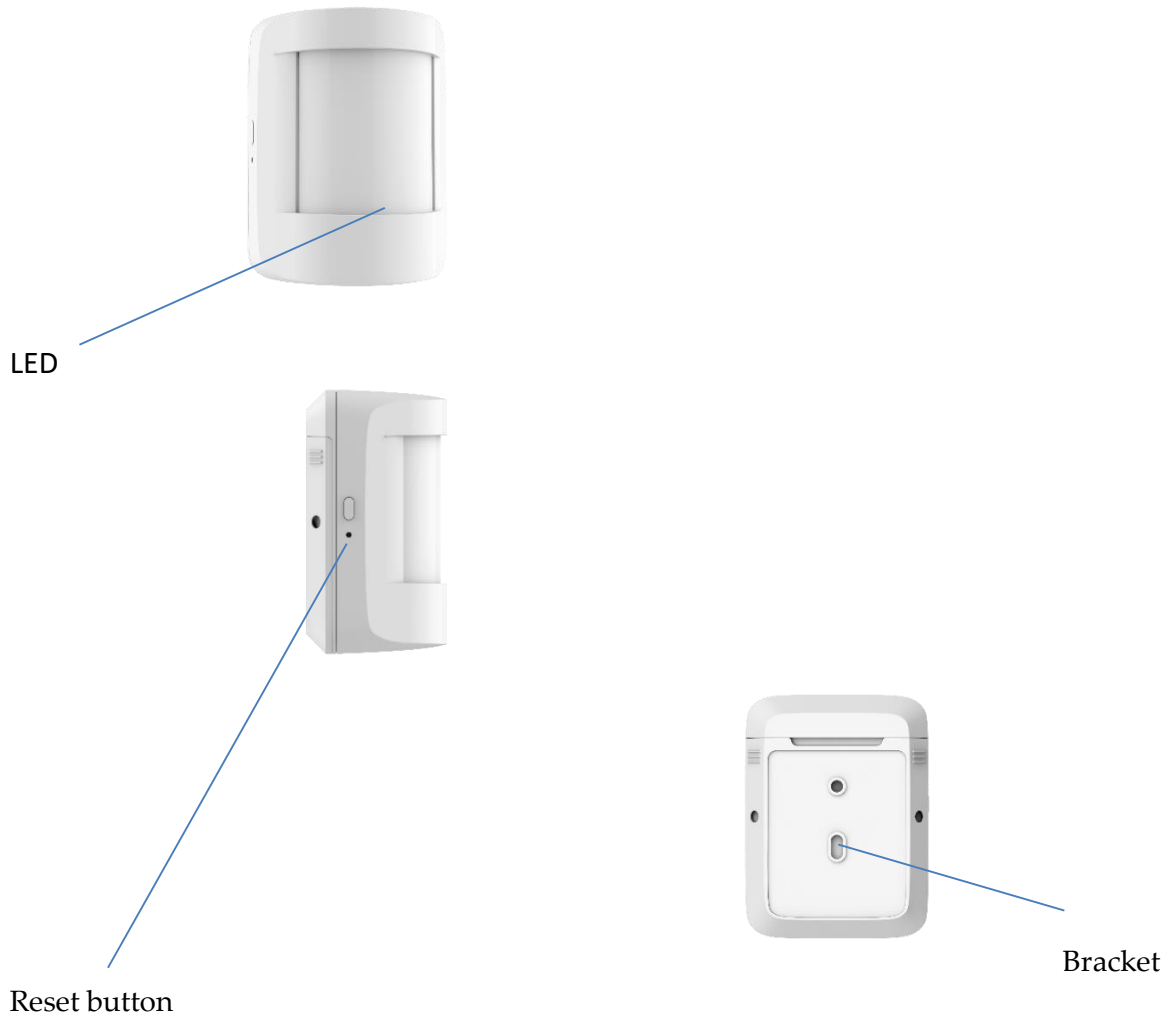
The Motion Sensor lets you know when movement is detected in a certain area and can trigger different actions in response to that movement (or lack of movement). It supports the pet immunity up to 80 lbs. This sensor integrated Z-Wave communication module to connect with Z-Wave gateway, and this device can be adapted to EU(868.42Mhz) or US(908.42MHz).

If you want your Motion Sensor to be a security device that use secure/encrypted message to communicate in a Z-Wave network, then a security enabled Z-Wave controller is needed.

The motion sensor can be included and operated in any Z-Wave network with other Z-Wave certified devices from other manufacturers and/or other applications. All non-battery operated nodes within the network will act as repeaters regardless of vendor to increase reliability of the network.

#### 2. Product Appearance

Product appearance and function overview.



**Button:**

- Short press reset button into learning mode, then the sensor can inclusion or exclusion from the Z-Wave network.
- Hold the key for 5s to reset the sensor, after reset, Sensor will send "Device\_Reset\_Locally" to the main controller and exclude from the Z-Wave network when the Button is released, this procedure will reset the Sensor to factory default.
- Short press button for 3 times then the sensor sending wake up notification to gateway, and LED will fast blink when sending data, send over then the LED turn off..

| Specification      |                       |
|--------------------|-----------------------|
| Detection angle    | 80 degrees            |
| Detection distance | 8 meters / 26.25 feet |

|                 |                                   |
|-----------------|-----------------------------------|
| Pet immune      | 80 lbs (36 kgs)                   |
| Mounting height | 6.23 ft. to 7.55 ft.              |
|                 | (1.9m to 2.3m)                    |
| Light sensor    | 20 lux for day/night(bright/dark) |
| Protocol        | Z-Wave                            |
| Frequency       | 908.42MHz (US)                    |
|                 | 868.42MHz(EU)                     |
| Power source    | Battery-powered                   |
| Battery type    | CR123A X 1                        |
| Battery life    | 3 years                           |
| Anti-Tamper     | YES                               |
| Low power alarm | YES                               |
| Certifications  | CE/FCC/Z-Wave                     |

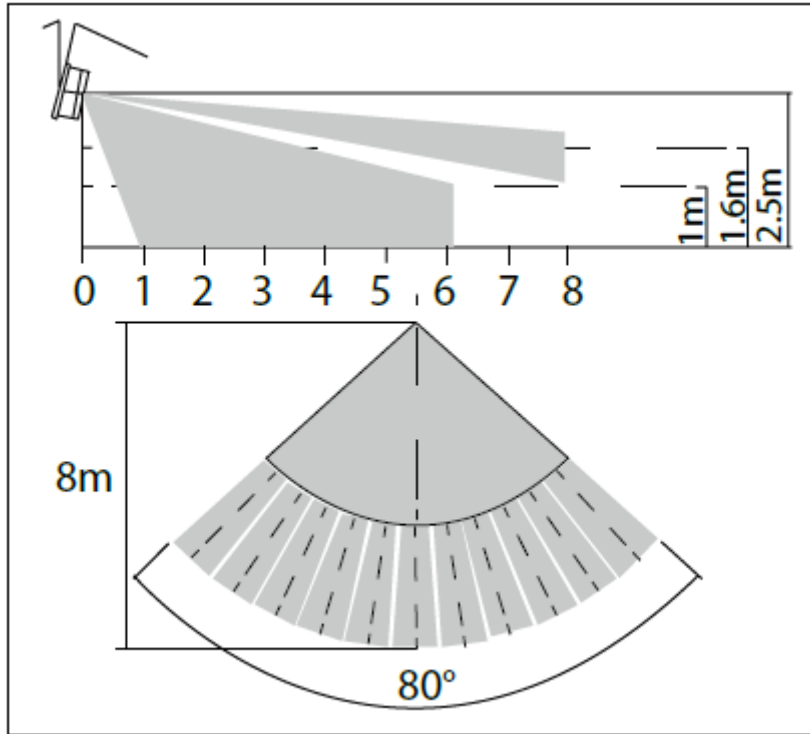
### 3. Features/Capabilities:

- ◆ Supports pet immunity up to 80 lbs (36 kgs)
- ◆ Use PIR & Fresnel lens technology
- ◆ Easy installation with bracket
- ◆ Low battery alarm
- ◆ Equipped with an anti-tamper switch that reports any tampering

### 4. Installation Position and Notes

1. Installation position should be chosen at the area which the bass-by will be across, try to make the bass-by in the detection area as below.

**Side view**



Top view

2. Do avoid installation near air-conditioner, electric fans, refrigerators, ovens or other places where temperature easy change.
3. In order not to affect the detecting result, there should be no object in front of the produces lens.
4. Building (such as the wall) will shorten the distance of wireless communication.
5. This device can be mounted on the wall only, it cannot be installed on the ceiling.

## 5. Product Installation

Adding the device as accessories, install it according to the diagram below:

- ① Choose the installation location on the wall, fix the bracket by screw or 3M adhesion tape on the wall.
- ② Take off the bracket in the back, and draw out the battery insulation sheet, then assembly the bracket.

- ③ Assembly the main body to the bracket.

## 6. Product Usage

### Function of Action Button:

#### 6.1 All functions of each trigger:

| Function Of Action            |   |
|-------------------------------|---|
| Trigger                       | Description   |
| Power on                      | <b>In the network:</b> Send Battery report and Wake up notification, the LED turn on within 1 second.   |
|                               | <b>Not in the network:</b> Only the LED will be slow blink 3 times.   |
| SmartStart Inclusion          | <p><b>Add the Motion Sensor into the Z-Wave network via SmartStart:</b></p> <ol style="list-style-type: none"> <li>1. Add your Motion Sensor device to the primary controller's SmartStart provisioning list (if you don't know how to do this, refer to its manual) by scanning your device's QR code</li> <li>2. Power on the motion sensor again.</li> <li>3. The motion will send "Z-Wave protocol Command Class" frame to start SmartStart Inclusion.</li> <li>4. Led will fast blink and solid for 2 seconds to indicate the inclusion is successful, if inclusion failed, Led will off.</li> </ol>   |
| Short press button three time | <p><b>Add the Motion Sensor into the Z-Wave network:</b></p> <ol style="list-style-type: none"> <li>5. Power on your Motion Sensor, and let your Z-Wave controller into add/inclusion mode.</li> <li>6. 3 consecutive clicks in 1.5 seconds, the Motion Sensor will send out a node info security CC in command class list (Security inclusion), the LED will be fast blink for 30 seconds.</li> <li>7. If the inclusion is successful, the LED will be turn on within 2 seconds. If failed, LED will be turn off forever, and please repeat the steps in above.</li> </ol> <p><b>Remove Motion Sensor from a Z-Wave network:</b></p> <ol style="list-style-type: none"> <li>1. Power on your Motion Sensor, and let the Z-Wave primary controller into remove mode.</li> <li>2. 3 consecutive clicks in 1.5 second, the LED will be fast blink for 30 seconds.</li> <li>3. If Motion Sensor has been successfully removed from your Z-Wave network, the LED will be turn on 2 seconds. If failed, LED will be turn off forever, and please repeat the steps in above.</li> </ol> |

|                                    |   |
|------------------------------------|---|
| Short press button one time        | <b>In the network:</b> Send Wake up notification, and LED will fast blink when sending data, send over then the LED turn off.   |
|                                    | <b>Not In the network:</b> NOP.   |
| Press and hold more than 5 seconds | <p><b>Reset Motion Sensor to factory default.</b></p> <ol style="list-style-type: none"> <li>1. Triggering this action, in 5 seconds LED will be accelerate blink. After 5 seconds, the LED will remain on until the key is released. Motion Sensor will send "Device_Reset_Locally" to the main controller and exclude from the Z-Wave network when the button is released, this procedure will reset the sensor to factory default.</li> <li>2. Please use this procedure only when the network primary controller is missing or otherwise inoperable.</li> <li>3. When not in the network, triggering this action, in 5 seconds LED will be accelerate blink red. After 5 seconds, the LED will remain on red until the key is released. this procedure will reset the sensor to factory default.</li> </ol> |
| Motion is triggered                | <b>In the network:</b> Send Notification report and Sensor multilevel report and Basic set (Setup configuration parameter 0x0E to 0x01), and the LED will be turn on 0.2 second.  |
|                                    | <b>Not in the network:</b> Motion sensor is disable.  |
| Tamper switch is triggered         | <b>In the network:</b> Send Notification report, and the LED will be turn on 0.2 second.  |
|                                    | <b>Not in the network:</b> Tamper switch is disable.  |

## 6.2 Caution:

This device complies with Part 15 of the FCC rules. Operation is subject to the following two conditions: (1) this device may not cause harmful interference, and (2) this device must accept any interference received, including interference that may cause undesired operation.

Changes or modifications not expressly approved by the party responsible for compliance could void the user's authority to operate the equipment.

Hereby, Corporation declares that this device is in compliance with the essential requirements and other relevant provisions of Directive 2014/53/EU

### 6.3 Low voltage alarm to remind changing battery.

This product has low voltage detection reminder, when the battery voltage is in low status, the detector will give out low battery signal to controller.

## 7. Attention

1. If need to clean the sensor, please use a soft cloth with a little alcohol to wipe it after you cut off the power.
2. This product is just for indoor use.
3. Replace the battery timely on low battery warning to ensure the detector works properly. Please remove the battery and safe keeping, if you don't use this product for a long time.
4. This device can be mounted on the wall only, it cannot be installed on the ceiling.
5. The reference range template of PIR detection is tested at the indoor temperature (the range is  $20^{\circ}\text{C} \sim 25^{\circ}\text{C}$ ), the target of the test is  $77\text{kg} \pm 10\text{kg}$  weight and  $1.71\text{m} \pm 0.3\text{m}$  height, the target of the test across movement speed is  $4\text{m/s} \pm 0.15\text{m/s}$ .

6. In order to prevent the PIR sensor's abnormal fault, please don't mounting and operating sensor in the bellow conditions,

Firstly, product mounting should prevent installed in the air flow environment such as in front of the door, window, heater, air conditioner and so on.

Secondly, the PIR detection area should not be shielded by other screen.

Thirdly, if the operating temperature range is out of the defined range of product specification may result in some product faults, which is not in the technique commitment of manufacturer.

Fourthly, this product has not pet immunity function, so when some animals go through in front of the product may trigger PIR function reported.

**RISK OF EXPLOSION IF BATTERY IS REPLACED BY AN INCORRECT TYPE. DISPOSE OF USED BATTERIES ACCORDING TO THE INSTRUCTIONS**



Dispose of the device separately from household waste at an official collection point. Professional recycling protects people and the environment against potential negative effects.



## Command Class List

|   | Non-Included Non-Secure  | Included S0 Non-Secure  |
|---|--|---|
| Node Info Frame                         | COMMAND_CLASS_ZWAVEPLUS_INFO<br>COMMAND_CLASS_ASSOCIATION<br>COMMAND_CLASS_ASSOCIATION_GRP_INFO<br>COMMAND_CLASS_TRANSPORT_SERVICE_V2<br>COMMAND_CLASS_VERSION<br>COMMAND_CLASS_MANUFACTURER_SPECIFIC<br>COMMAND_CLASS_DEVICE_RESET_LOCALLY<br>COMMAND_CLASS_POWERLEVEL<br>COMMAND_CLASS_BATTERY<br>COMMAND_CLASS_SECURITY<br>COMMAND_CLASS_SECURITY_2<br>COMMAND_CLASS_NOTIFICATION_V3<br>COMMAND_CLASS_SENSOR_MULTILEVEL_V5<br>COMMAND_CLASS_WAKE_UP<br>COMMAND_CLASS_SUPERVISION<br>COMMAND_CLASS_CONFIGURATION_V4<br>COMMAND_CLASS_FIRMWARE_UPDATE_MD_V5 | COMMAND_CLASS_ZWAVEPLUS_INFO<br>COMMAND_CLASS_TRANSPORT_SERVICE_V2<br>COMMAND_CLASS_SECURITY<br>COMMAND_CLASS_SECURITY_2<br>COMMAND_CLASS_SUPERVISION   |
| Security Command Supported Report Frame |  | COMMAND_CLASS_VERSION<br>COMMAND_CLASS_POWERLEVEL<br>COMMAND_CLASS_ASSOCIATION<br>COMMAND_CLASS_ASSOCIATION_GRP_INFO<br>COMMAND_CLASS_MANUFACTURER_SPECIFIC<br>COMMAND_CLASS_DEVICE_RESET_LOCALLY<br>COMMAND_CLASS_BATTERY<br>COMMAND_CLASS_NOTIFICATION_V3<br>COMMAND_CLASS_WAKE_UP<br>COMMAND_CLASS_CONFIGURATION_V4<br>COMMAND_CLASS_SENSOR_MULTILEVEL_V5<br>COMMAND_CLASS_FIRMWARE_UPDATE_MD_V5 |
|   | Included S2 Non-Secure   |   |
| Node Info Frame                         | COMMAND_CLASS_ZWAVEPLUS_INFO<br>COMMAND_CLASS_TRANSPORT_SERVICE<br>COMMAND_CLASS_SECURITY<br>COMMAND_CLASS_SECURITY_2<br>COMMAND_CLASS_SUPERVISION   |   |
| Security Command Supported Report Frame | COMMAND_CLASS_VERSION<br>COMMAND_CLASS_POWERLEVEL<br>COMMAND_CLASS_ASSOCIATION<br>COMMAND_CLASS_ASSOCIATION_GRP_INFO<br>COMMAND_CLASS_MANUFACTURER_SPECIFIC<br>COMMAND_CLASS_DEVICE_RESET_LOCALLY<br>COMMAND_CLASS_BATTERY<br>COMMAND_CLASS_NOTIFICATION_V3<br>COMMAND_CLASS_WAKE_UP<br>COMMAND_CLASS_CONFIGURATION_V4<br>COMMAND_CLASS_SENSOR_MULTILEVEL_V5<br>COMMAND_CLASS_FIRMWARE_UPDATE_MD_V5  |   |

### Association Command Class

Motion Sensor supports 2 association groups and max 5 nodes for each group.

### Association Group Info Command Class

#### Association Group Info

| Grouping identifier | Group Name     | Profile MS | Profile LS |
|---------------------|----------------|------------|------------|
| 01                  | Lifeline       | 0x00       | 0x01       |
| 02                  | On/Off control | 0x71       | 0x07       |

#### Association Group Command List

|               |  |
|---------------|--|
| Group 1       | Command List Support                     |
| Command Class | COMMAND_CLASS_NOTIFICATION_V8(0x71)      |
| Command       | NOTIFICATION_REPORT_V8(0x05)             |
| Command Class | COMMAND_CLASS_BATTERY(0x80)              |
| Command       | BATTERY_REPORT(0x03)                     |
| Command Class | COMMAND_CLASS_DEVICE_RESET_LOCALLY(0x5A) |
| Command       | DEVICE_RESET_LOCALLY_NOTIFICATION(0x01)  |
| Command Class | COMMAND_CLASS_SENSOR_MULTILEVEL_V5(0x31) |
| Command       | SENSOR_MULTILEVEL_REPORT(0x05)           |
| Group 2       | Command List Support                     |
| Command Class | COMMAND_CLASS_BASIC(0x20)                |
| Command       | BASIC_SET(0x01)                          |

#### Notification Commands

| Notification Type    | Notification Event |
|----------------------|--------------------|
| HOME_SECURITY (0x07) | (0x00) NO_EVENT    |

|                         |  |
|-------------------------|--|
|                         | (0x03) TAMPERING_COVERING_REMOVED        |
|                         | (0x08) MOTION_DETECTION_UNKNOWN_LOCATION |
| POWER_MANAGEMENT (0x08) | (0x0A) REPLACE_BATTERY_SOON              |
|                         | (0x0B) REPLACE_BATTERY_NOW               |
|                         | (0x00) NO_EVENT                          |
| LIGHET_ALARM(0x14)      | (0x00) NO_EVENT                          |
|                         | (0x01) LIGHETSENSOR_ALARM_DETECTED       |

**Configuration Set Command Class**

**Command Format**

|   |          |          |          |          |          |          |          |
|---|----------|----------|----------|----------|----------|----------|----------|
| <b>7</b>                                    | <b>6</b> | <b>5</b> | <b>4</b> | <b>3</b> | <b>2</b> | <b>1</b> | <b>0</b> |
| Command Class = COMMAND_CLASS_CONFIGURATION |          |          |          |          |          |          |          |
| Command = CONFIGURATION_SET                 |          |          |          |          |          |          |          |
| Parameter Number                            |          |          |          |          |          |          |          |
| Default                                     | Reserved |          |          |          | Size     |          |          |
| Configuration Value 1(MSB)                  |          |          |          |          |          |          |          |
| Configuration Value 2                       |          |          |          |          |          |          |          |

|                            |
|----------------------------|
| .....                      |
| Configuration Value n(LSB) |

### 5.4.1 Parameter Number Definitions (8 bit)

| Name                 | Info               | Parameter Number | Default Value | Max Value          | Min Value    | Size | Read-only     | Format            | Altering capabilities    |
|----------------------|--------------------|------------------|---------------|--------------------|--------------|------|---------------|-------------------|--------------------------|
| LowBatPrecent        | LowBatAlarm        | 0x0A<br>(10)     | 10<br>(0x0A)  | 50<br>(0x32)       | 5<br>(0x05)  | 1    | NOT Read-only | UNSIGNED _INTEGER | Will alters capabilities |
| Pironoff             | PironoffSet        | 0x0C<br>(12)     | 1<br>(0X01)   | 1<br>(0X01)        | 0<br>(0X00)  | 1    | NOT Read-only | UNSIGNED _INTEGER | Will alters capabilities |
| PirTimeout           | PirTimeoutSet      | 0x0D<br>(13)     | 60<br>(0X3C)  | 15300<br>( 0x3BC4) | 05<br>(0x05) | 2    | NOT Read-only | UNSIGNED _INTEGER | Will alters capabilities |
| BasicEnable          | SendBasic          | 0x0E<br>(14)     | 0<br>(0X00)   | 1<br>(0X01)        | 0<br>(0X00)  | 1    | NOT Read-only | UNSIGNED _INTEGER | Will alters capabilities |
| BasicReverse         | BasicValue         | 0x0F<br>(15)     | 0<br>(0X00)   | 1<br>(0X01)        | 0<br>(0X00)  | 1    | NOT Read-only | UNSIGNED _INTEGER | Will alters capabilities |
| PirSensitivity       | PirSensitivitySet  | 0x10<br>(16)     | 9<br>(0X09)   | 10<br>(0X0A)       | 0<br>(0X00)  | 1    | NOT Read-only | UNSIGNED _INTEGER | Will alters capabilities |
| PirPetImmunity       | PirPetImmunitySet  | 0x11<br>(17)     | 0<br>(0X00)   | 1<br>(0X01)        | 0<br>(0X00)  | 1    | NOT Read-only | UNSIGNED _INTEGER | Will alters capabilities |
| LightSensorSend Type | LightSensorSendSet | 0x12<br>(18)     | 1<br>(0X01)   | 3<br>(0X03)        | 1<br>(0X01)  | 1    | NOT Read-only | UNSIGNED _INTEGER | Will alters capabilities |

### 5.4.2 Parameter Number description

| Parameter Number | Description   |
|------------------|---|
| 0x0A (10)        | Low battery power level of alarm threshold values: the value range are 5~50 for percentage, the battery low power level can setting 5%~50%. |

|           |  |
|-----------|--|
| 0x0C(12)  | Enable/Disable the PIR<br>0 = Disable the PIR.<br>1 = Enable the PIR.  |
| 0x0D (13) | Setup the wait time of PIR for clear the motion.<br>Valid values: 0x05~0x3BC4  |
| 0x0E (14) | When the Motion Sensor is triggered, if this parameter is 0x01 then it will send Basic set command to group 1.<br>0 = Don't send.<br>1 = Send.   |
| 0x0F (15) | PIR triggers the correspondence between the value of the Basic set and the PIR state.<br>-If this value is 0x00 :<br>PIR triggers send the basic set with 0xFF, PIR alarm release send the basic set with 0x00.<br>-If this value is 0x01 :<br>PIR triggers send the basic set with 0x00, PIR alarm release send the basic set with 0xFF.<br>Only support 0x00 and 0x01 values as valid value. |
| 0x10 (16) | Motion detection sensitivity level is a value between 1 and 10. This value affects the amount of motion energy required to generate a motion event and also affects the detection range and angle.<br>1 = Lowest Motion Sensitivity<br>10 = Highest Motion Sensitivity   |
| 0x11 (17) | Enable/disable pet immunity mode. This feature is lens dependent and detection range may be reduced when Pet Immunity is enabled.<br>0 = Disable the pet immunity mode<br>1 = Enable the pet immunity mode   |
| 0x12 (18) | Configure lightsensor to upload data form<br>1=Upload lumens value.<br>2=Upload day or night(By notification).<br>3=Upload lumens and day/night .  |

### 5.5 Sensor\_Multilevel

| Command                            | value  |
|------------------------------------|--|
| <b>Sensor multilevel supported</b> | Air temperature (bit 0),<br>Luminance (bit 2). |